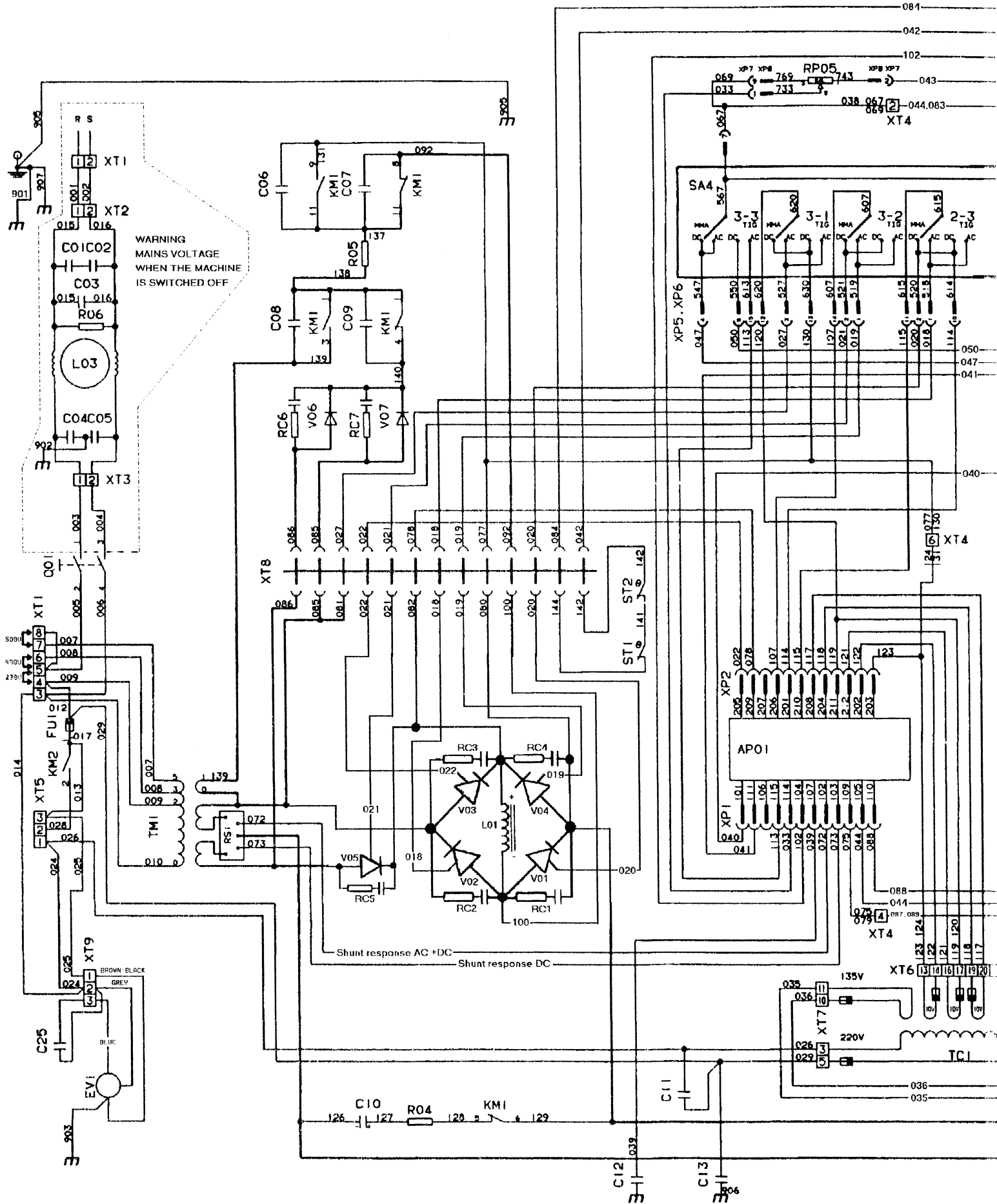
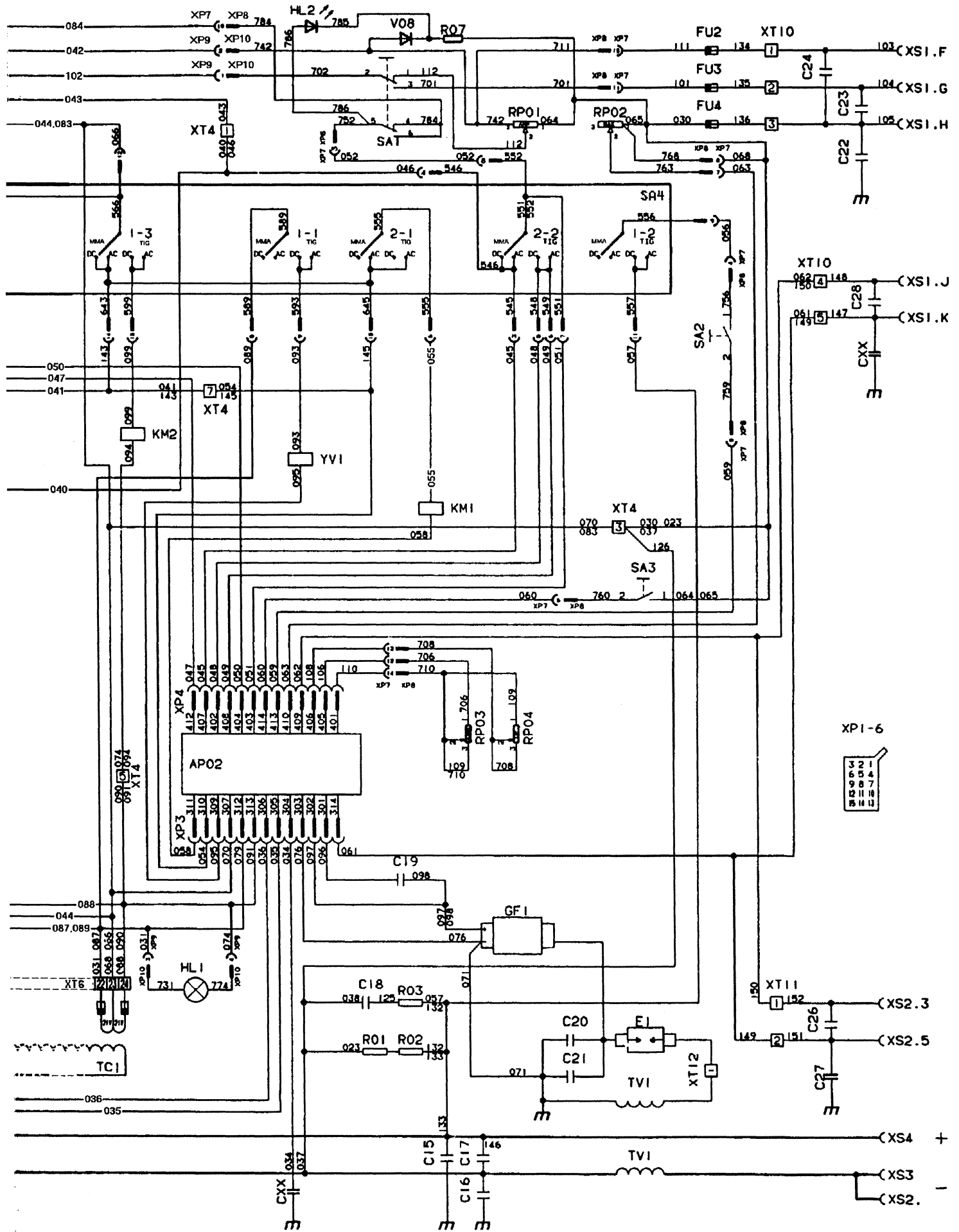




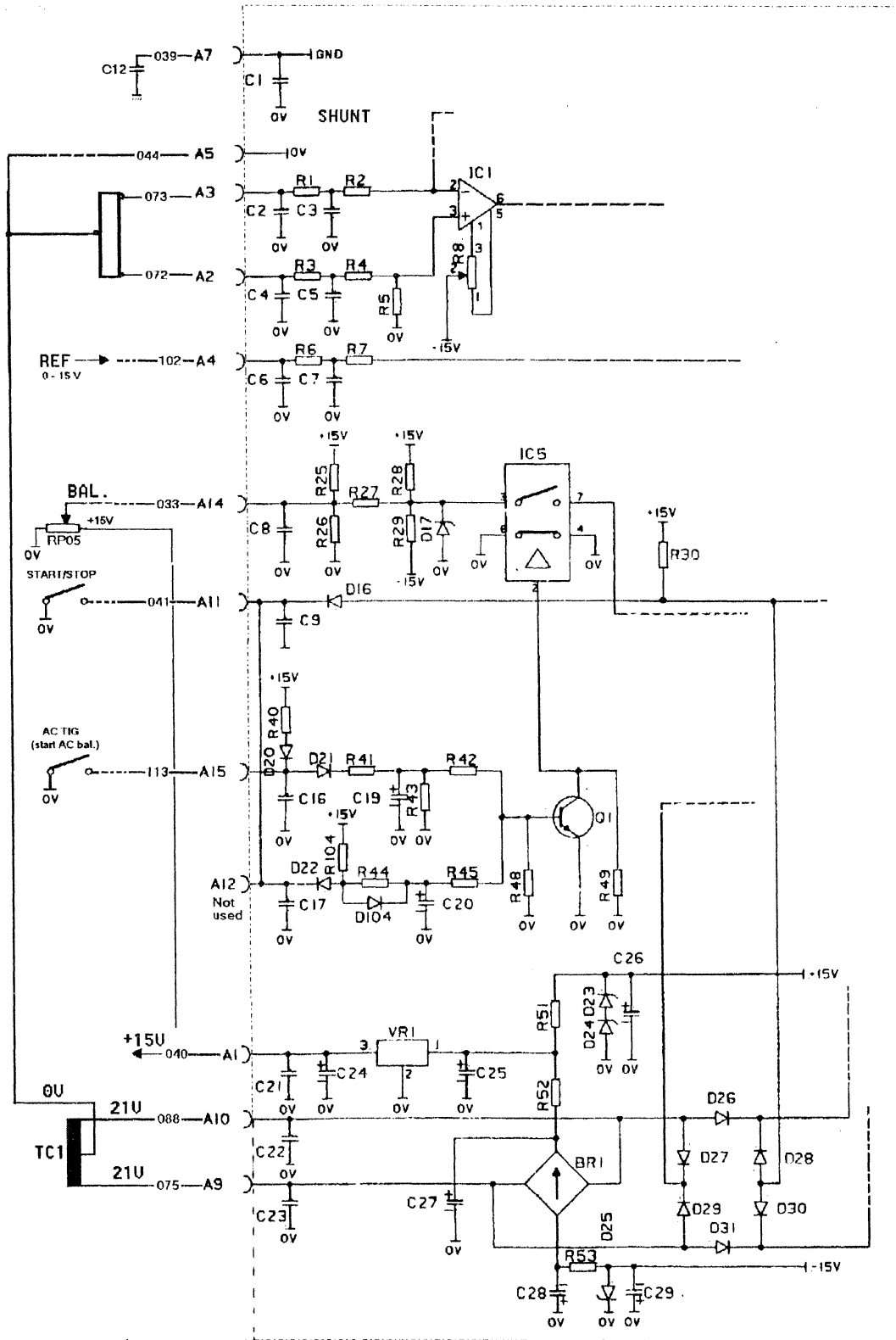
# WIRING DIAGRAM, DTB 250





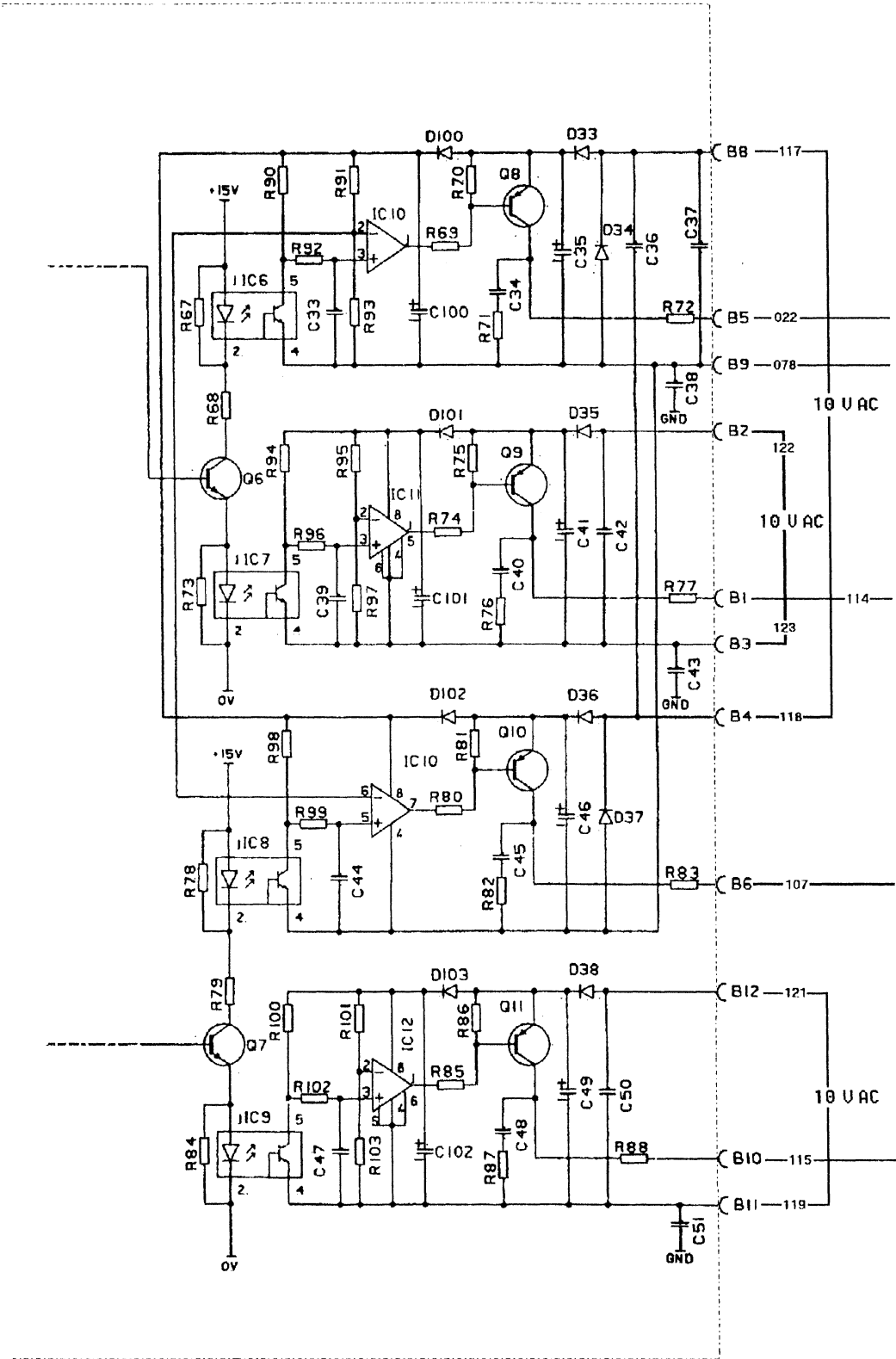
cnj2ae0:

# CIRCUIT DIAGRAM, AP01 CIRCUIT BOARD 481 366



Group A and B connections on the circuit board are indicated in the wiring diagram by numerals 1 and 2 respectively, e.g.: A11 = 111, B12 = 212.

cnj2ae03

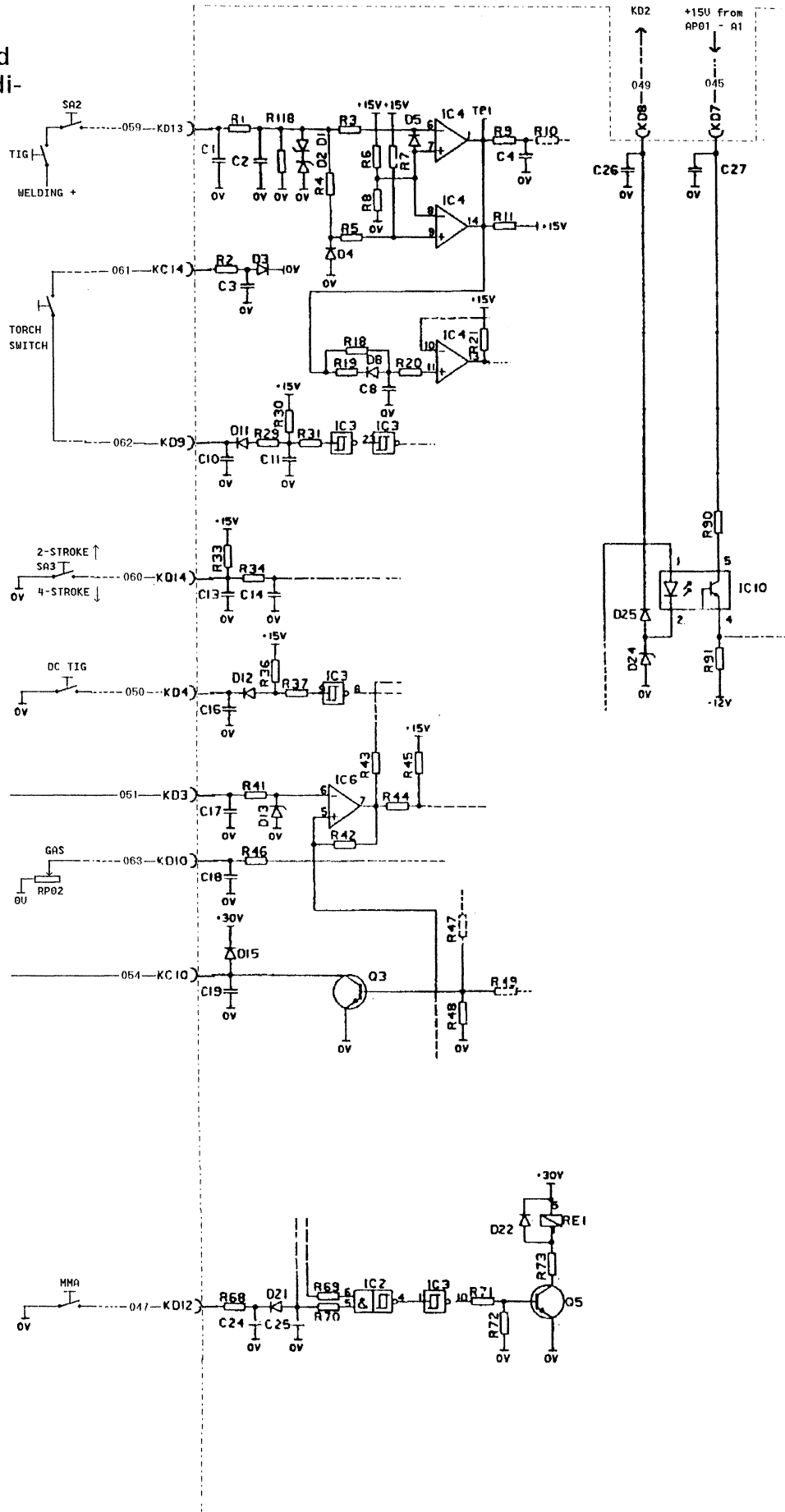


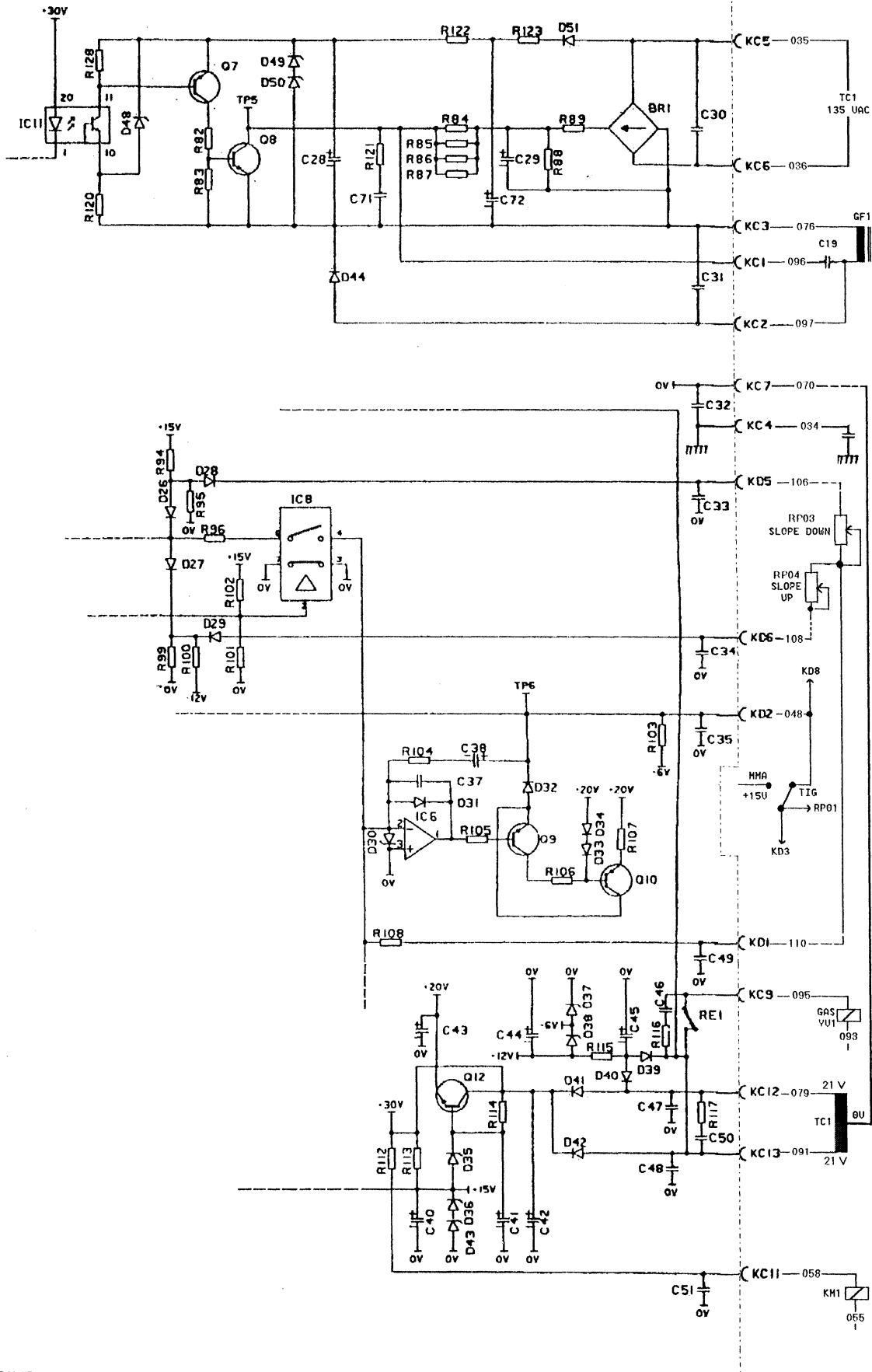
cnj2ae04

# CIRCUIT DIAGRAM, AP02 CIRCUIT BOARD 481 635

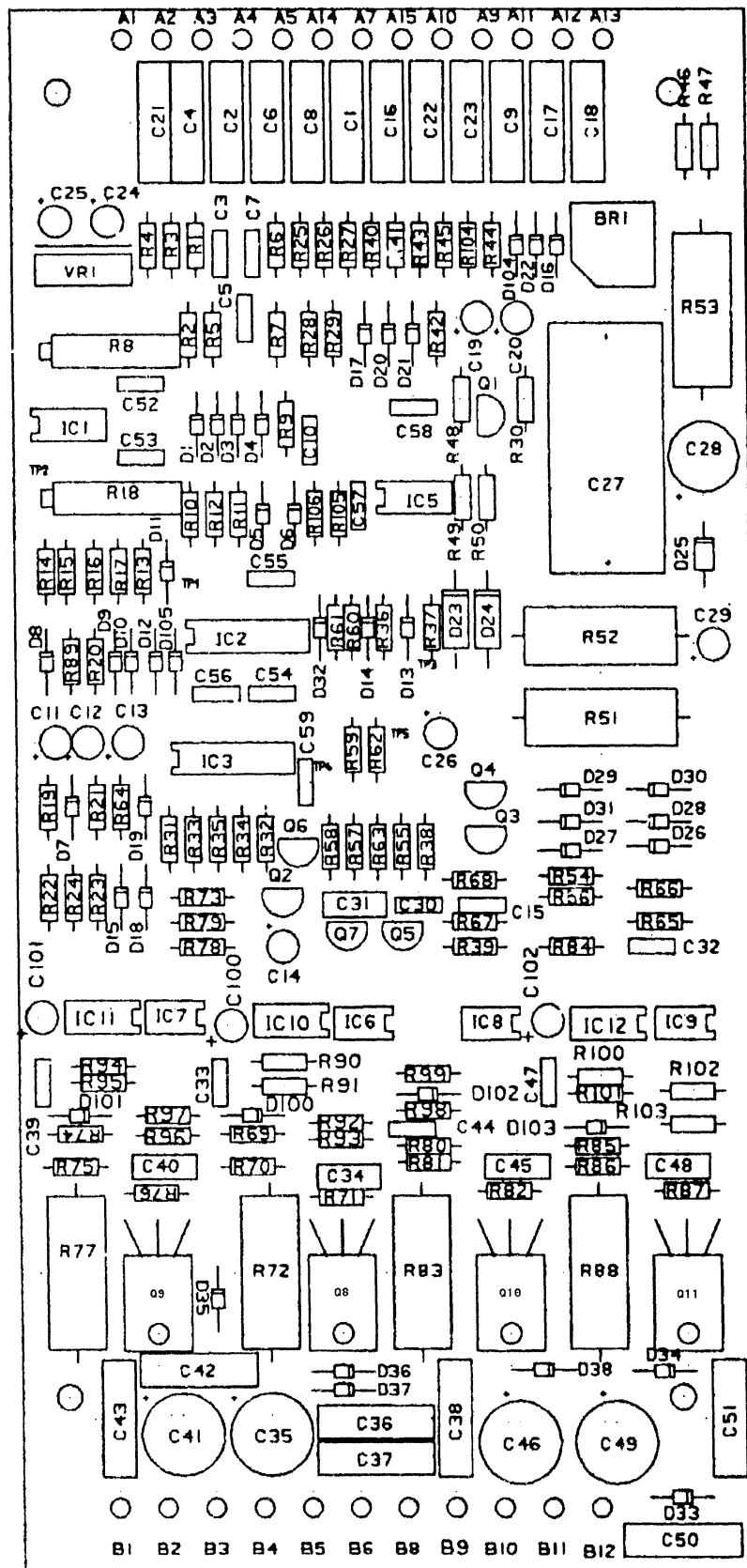
Group KC and KD connections on the circuit board are indicated in the wiring diagram by numerals 3 and 4 respectively.

E.g.: KC11 = 311, KD12 = 412.





COMPONENT LAYOUT, AP01 CIRCUIT BOARD 481 366



cnj2ae07

COMPONENT LAYOUT, AP02 CIRCUIT BOARD 481 635

