



Customer information packet

L3400

.17HP, 1725RPM, 1PH, 60HZ, 48, 3408L, TEFC, F1

Electric Motor Wholesale Inc.

Class - None

Division - Not Applicable

Specifications

Enclosure	TEFC
Frame	48
Frame Material	Steel
Frequency	60.00 Hz
Haz Area Class and Group	None
Haz Area Division	Not Applicable
Motor Letter Type	Cap Start, Induction Run
Output @ Frequency	.170 HP @ 60 HZ
Phase	1
Synchronous Speed @ Frequency	1800 RPM @ 60 HZ
Voltage @ Frequency	115.0 V @ 60 HZ 230.0 V @ 60 HZ
Agency Approvals	UR CSA
Ambient Temperature	40 °C
Auxillary Box	No Auxillary Box
Auxillary Box Lead Termination	None
Base Indicator	Rigid
Bearing Grease Type	Polyrex EM (-20F +300F)
Blower	None
Current @ Voltage	1.900 A @ 230.0 V 2.300 A @ 208.0 V 3.800 A @ 115.0 V
Design Code	N
Drip Cover	No Drip Cover
Duty Rating	CONT
Efficiency @ 100% Load	49.0 %
Electrically Isolated Bearing	Not Electrically Isolated
Feedback Device	NO FEEDBACK
Front Face Code	Standard
Front Shaft Indicator	None
Heater Indicator	No Heater

Part detail

Revision	AF
Type	AC
Mech. spec.	34C051
Base	
Status	PRD/A
Elec. spec.	34WGW020
Layout	34LYC051
Eff. date	12-30-2024
CD Diagram	CD0001
Poles	04
Leads	6#18
Proprietary	False
Created date	01-01-0001

High Voltage Full Load Amps	1.9 a
Insulation Class	B
Inverter Code	Not Inverter
IP Rating	NONE
KVA Code	M
Lifting Lugs	No Lifting Lugs
Locked Bearing Indicator	No Locked Bearing
Motor Lead Exit	Ko Box
Motor Lead Quantity/Wire Size	6 @ 18 AWG
Motor Lead Termination	Flying Leads
Motor Standards	NEMA
Motor Type	3408L
Mounting Arrangement	F1
Number of Poles	4
Overall Length	10.72 IN
Power Factor	57
Product Family	General Purpose
Pulley End Bearing Type	Ball
Pulley Face Code	Standard
Pulley Shaft Indicator	Standard
Rodent Screen	None
Service Factor	1.35
Shaft Diameter	0.500 IN
Shaft Extension Location	Pulley End
Shaft Ground Indicator	No Shaft Grounding
Shaft Rotation	Reversible
Shaft Slinger Indicator	No Slinger
Speed	1725 rpm
Speed Code	Single Speed
Starting Method	Direct on line
Thermal Device - Bearing	None
Thermal Device - Winding	None
Vibration Sensor Indicator	No Vibration Sensor
Winding Thermal 1	None

Winding Thermal 2

None

Nameplate

NP1256L									
CAT.NO.	L3400								
SPEC.	34C51W20								
HP	.17								
VOLTS	115/230								
AMP	3.8/1.9								
RPM	1725								
FRAME	48		HZ	60		PH	1		
SER.F.	1.35	CODE	M	DES	N	CLASS	B		
NEMA-NOM-EFF	49	PF	57						
RATING	40C AMB-CONT								
CC									
DE	6203		ODE	6203					
ENCL	TEFC	SN							
	SFA 4.4/2.2								

Parts list

Part number	Description	Quantity
SA008586	SA 34C51W20	1.000 ea
RA005033	RA 34C51W20	1.000 ea
NS2512A01	INSULATOR, CONDUIT BOX X	1.000 ea
34CB3002A	CB CAST W/.88 DIA HOLE	1.000 ea
34GS1029A01	GASKET, CONDUIT BOX	1.000 ea
51XB1016A07	10-16 X 7/16 HXWSSLD SERTYB	2.000 ea
11XW1032G06	10-32 X .38, TAPTITE II, HEX WSHR SLTD U	1.000 ea
51XW0832A07	8-32 X .44, TAPTITE II, HEX WSHR SLTD SE	2.000 ea
34EP3102A01SP	FR ENDPLATE, MACH	1.000 ea
WD1000A16	2-520128-2 AMP FLAG TERMINAL(4M/RL)	1.000 ea
34CB4800SP	CAPACITOR COVER, STAMPED PRIMED	1.000 ea
34GS3000SP	GASKET, CAPACITOR BOX	1.000 ea
51XB1016A05	10-16X5/16HX WA SL SR TYB (F/S)	2.000 ea
HW5100A03	WAVY WASHER (W1543-017)	1.000 ea
34EP3102A02SP	FR/PU ENDPLATE, MACH	1.000 ea
XY1032A02	10-32 HEX NUT DIRECTIONAL SERRATION	4.000 ea
34FN3002A01SP	EXTERNAL FAN, PLASTIC, .637/.639 HUB W/	1.000 ea
34FH4002A01SP	IEC FH NO GREASER PRIMED	1.000 ea
51XW1032A06	10-32 X .38, TAPTITE II, HEX WSHR SLTD S	3.000 ea
34CB4517	CB LID 4 MTG HOLES .22 DIA STAMPED, FOR	1.000 ea
34GS1031A01	GASKET, FLAT CONDUIT BOX LID (LEXIDE)	1.000 ea
51XW0832A07	8-32 X .44, TAPTITE II, HEX WSHR SLTD SE	4.000 ea
MG1050G01	CELEROL MEDIUM CHARCOAL METALLIC GRAY	0.014 ga
85XU0407S04	4X1/4 U DRIVE PIN STAINLESS	2.000 ea
SP5051B16	MDL 34 TORQ STAT SW,TYPE L , STD F1 & F2	1.000 ea
EC1130A02SP	ELEC CAP, 130-156 MFD, 125V, 1.48D X 3.3	1.000 ea
HA3100A12	THRUBOLT 10-32 X 7.375	4.000 ea
LC0001A01	CONN LABEL / WARNING LABEL (LC0001 / LB1	1.000 ea
NP1256L	ALUM UL CC INDUSTRIAL MOTOR A60	1.000 ea
34PA1002	PKG GRP, PRINT PK1001A01	1.000 ea
MN416A01	TAG-INSTAL-MAINT no wire (2500bx)4/22	1.000 ea

Accessories

Part number	Description	Multiplier
34-3900T	C-FACE KIT	A8

AC Induction Motor Performance Data

Record # 6851

Typical performance - not guaranteed values

Winding: 34WGW020-R001		Type: 3408L	Enclosure: TEFC
Nameplate Data		230 V, 60 Hz: High Voltage Connection	
Rated Output (HP)	.17	Full Load Torque	0.5 LB-FT
Volts	115/230	Start Configuration	direct on line
Full Load Amps	3.8/1.9	Breakdown Torque	1.38 LB-FT
R.P.M.	1725	Pull-up Torque	1.2 LB-FT
Hz	60 Phase 1	Locked-rotor Torque	2.13 LB-FT
NEMA Design Code	N KVA Code M	Starting Current	7.8 A
Service Factor (S.F.)	1.35	No-load Current	1.75 A
NEMA Nom. Eff.	49 Power Factor 57	Line-line Res. @ 25°C	13.7 Ω A Ph 10.8 Ω B Ph
Rating - Duty	40C AMB-CONT	Temp. Rise @ Rated Load	50°C
S.F. Amps	4.4/2.2	Temp. Rise @ S.F. Load	61°C

Load Characteristics 230 V, 60 Hz, 0.17 HP

% of Rated Load	25	50	75	100	125	150	S.F.
Power Factor	32	41	49	57	63	69	67
Efficiency	21	35	45	49	52	53	53
Speed	1775	1760	1730	1710	1685	1650	1665
Line amperes	1.75	1.8	1.9	2	2.1	2.4	2.2

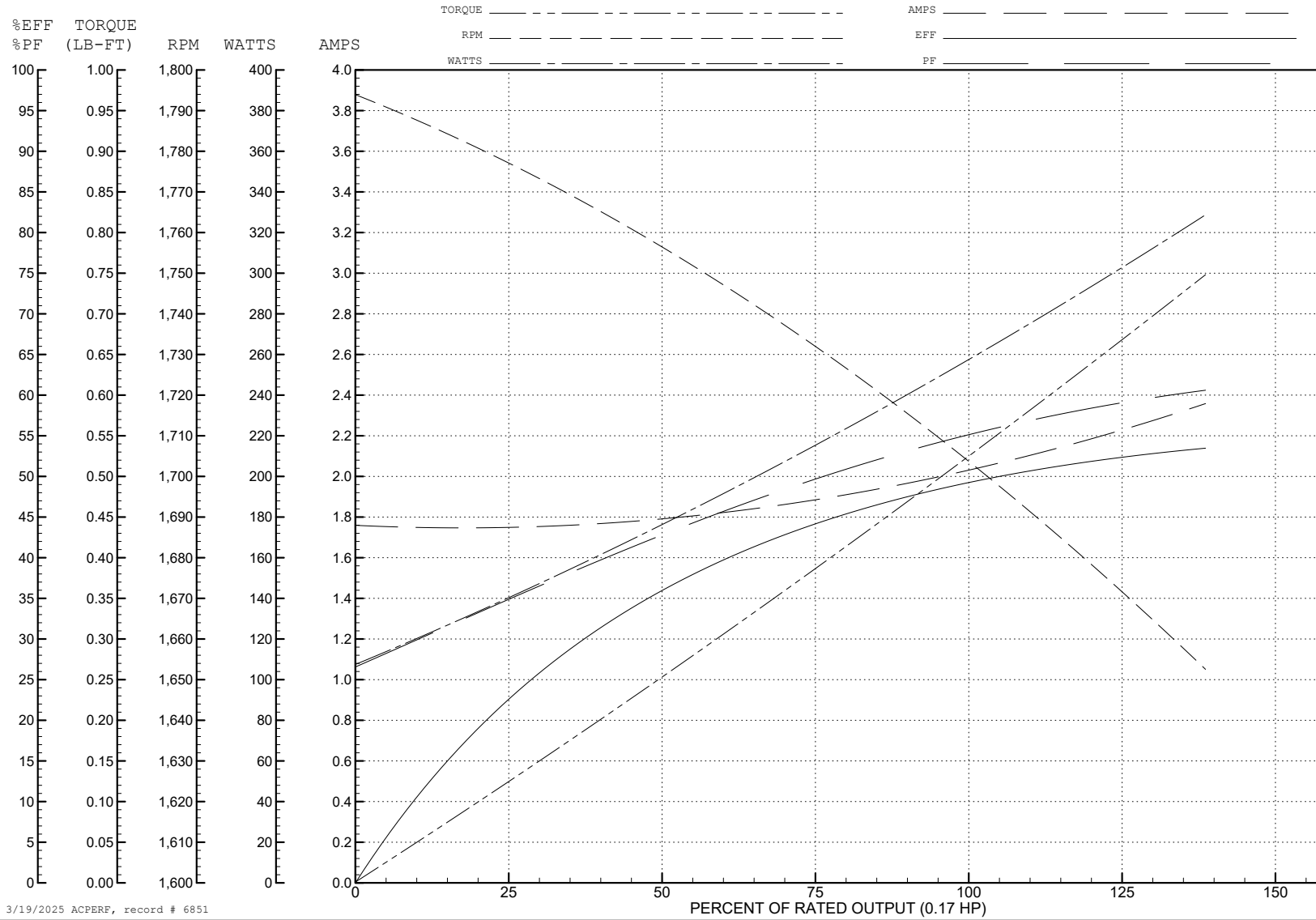
ABB Motors and Mechanical Inc.

WINDING # 34WGW020

0.17 HP 1 PH 60 HZ 1725 RPM 230 V 3408L

Typical performance - not guaranteed values.

TORQUES (LB-FT): PO=1.38 PU=1.2 LR=2.13 LRA=7.8



3/19/2025 ACPERF, record # 6851

AC Induction Motor Performance Data

Record # 69691

Typical performance - not guaranteed values

Winding: 34WGW020-R001		Type: 348L	Enclosure: TEFC	
Nameplate Data			115 V, 60 Hz: Low Voltage Connection	
Rated Output (HP)	.17	Full Load Torque	0.5 LB-FT	
Volts	115/230	Start Configuration	direct on line	
Full Load Amps	3.8/1.9	Breakdown Torque	1.38 LB-FT	
R.P.M.	1725	Pull-up Torque	1.2 LB-FT	
Hz	60 Phase	1	Locked-rotor Torque	2.35 LB-FT
NEMA Design Code	N KVA Code	M	Starting Current	16.2 A
Service Factor (S.F.)	1.35	No-load Current	3.5 A	
NEMA Nom. Eff.	49 Power Factor	57	Line-line Res. @ 25°C	3.23 Ω A Ph 10.5 Ω B Ph
Rating - Duty	40C AMB-CONT	Temp. Rise @ Rated Load	50°C	
S.F. Amps	4.4/2.2	Temp. Rise @ S.F. Load	58°C	
		Locked-rotor Power Factor	95	
		Rotor inertia	0.019 LB-FT ²	

Load Characteristics 115 V, 60 Hz, 0.17 HP

% of Rated Load	25	50	75	100	125	150	S.F.
Power Factor	37	43	47	54	60	60	60
Efficiency	21	34.9	44.9	49	51.9	52.9	52.3
Speed	1775	1760	1730	1710	1685	1650	1671
Line amperes	3.5	3.6	3.8	4	4.2	4.8	4.44

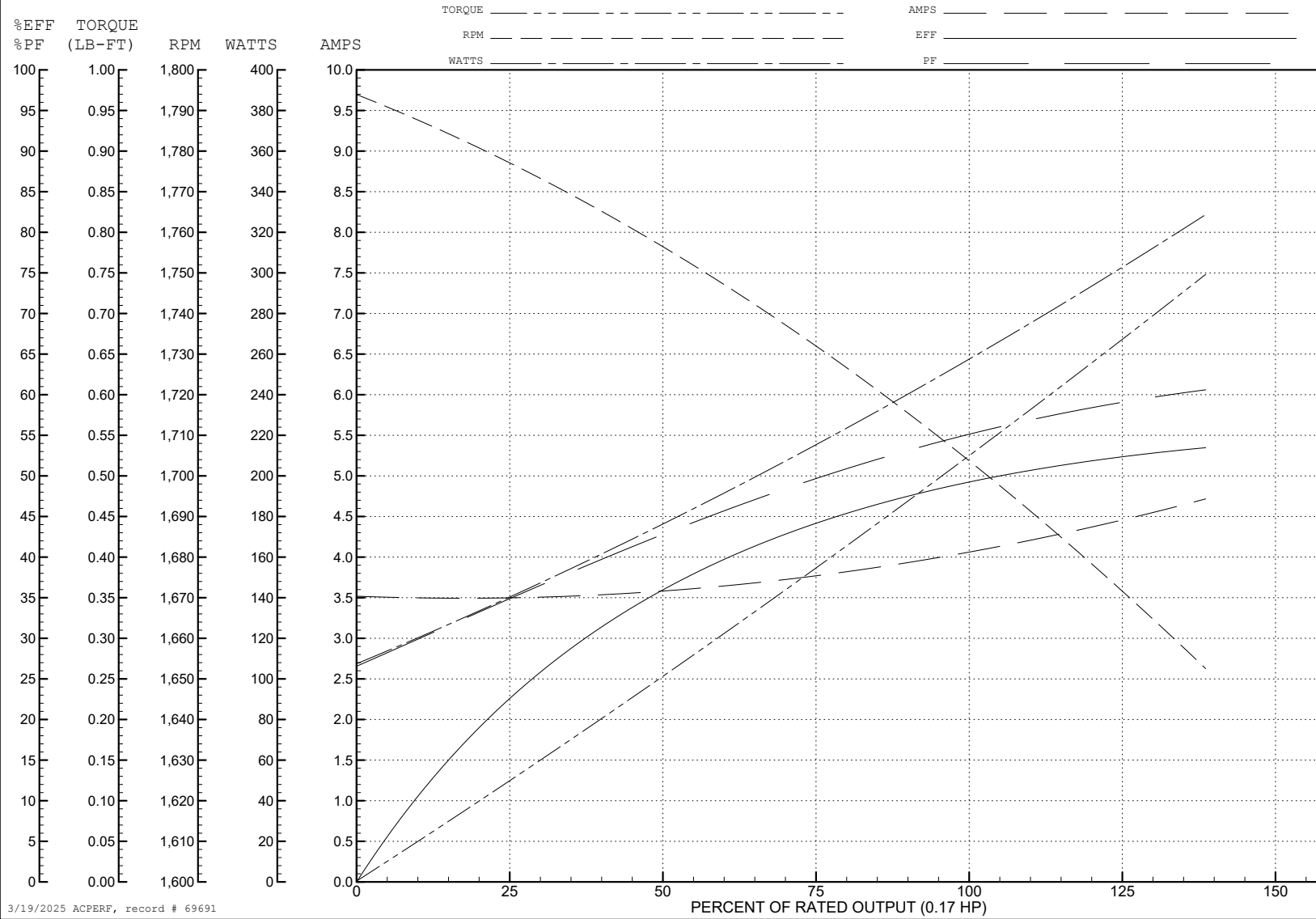
ABB Motors and Mechanical Inc.

WINDING # 34WGW020

0.17 HP 1 PH 60 HZ 1725 RPM 115 V 348L

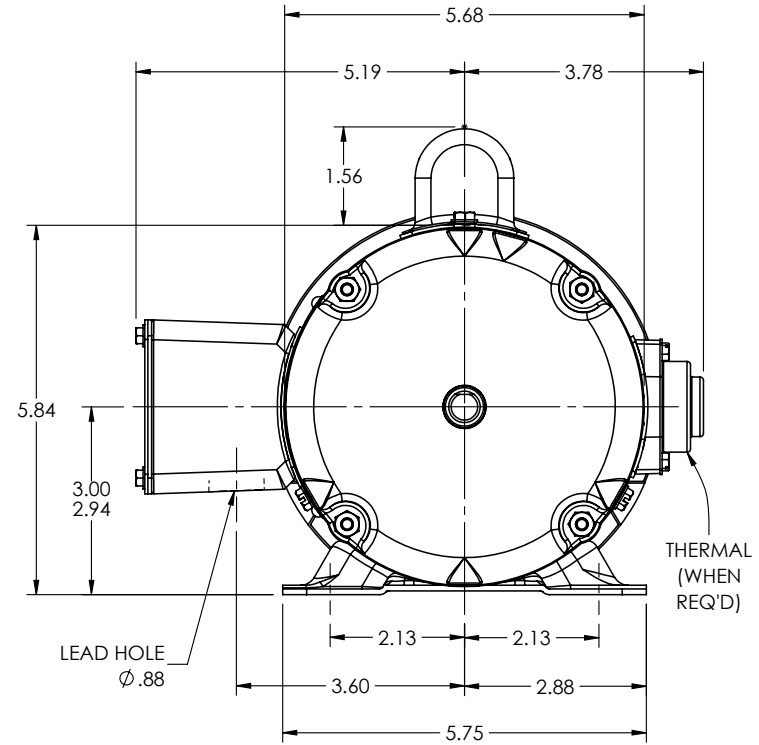
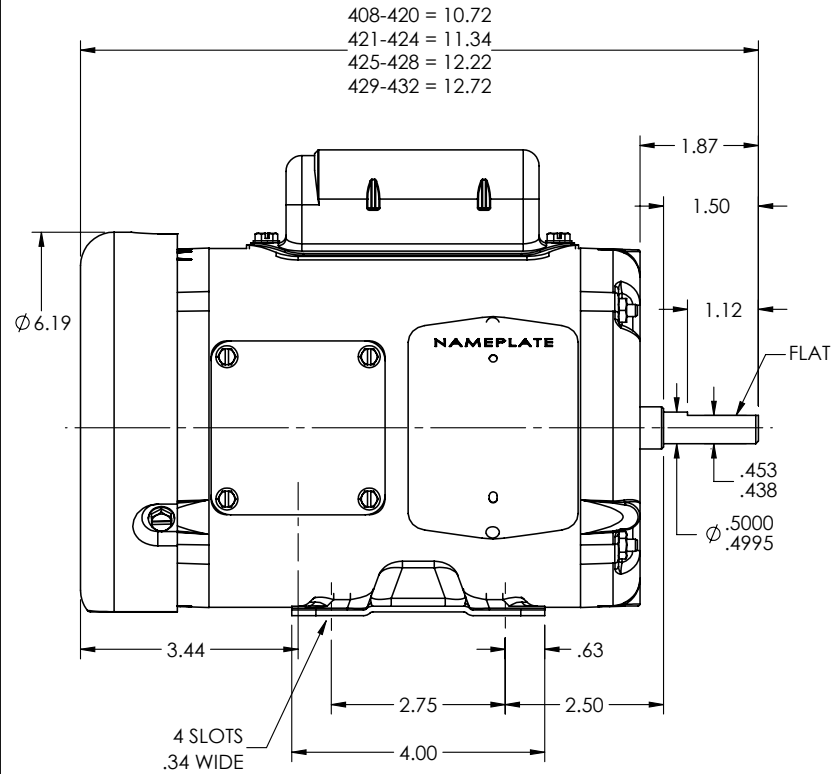
Typical performance - not guaranteed values.

TORQUES (LB-FT): PO=1.38 PU=1.2 LR=2.35 LRA=16.2



3/19/2025 ACPERF, record # 69691

34LYC051



CUSTOMER IS RESPONSIBLE FOR DETERMINING THAT THE PRODUCT WILL PERFORM SUITABLY IN THE INTENDED APPLICATION

REV. DESC: UPDATE STACK RANGE

REV: N	VERSION: 06	REVISED: 04:36:54 05/06/2024	TDR: 000001231525
--------	-------------	------------------------------	-------------------

34LYC051

MODEL NO. 34LYC051
 BY: ENJEFD0

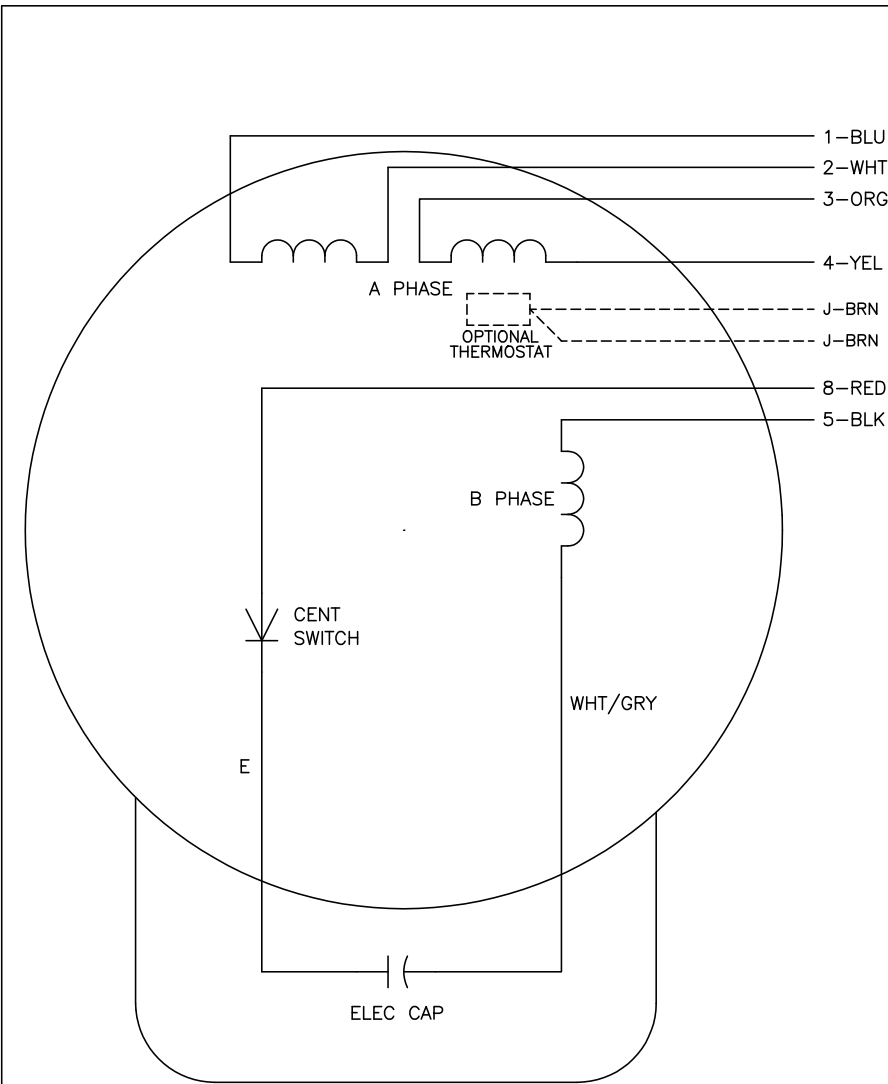
REF: -

BALDOR - RELIANCE®

STD HORZ MODEL 34L NEMA 48 TEFC

34LYC051

CD0001



	LINE A	LINE B	JOIN
HIGH STD	1	4,5	2,3,8
HIGH OPP	1	4,8	2,3,5
LOW STD	1,3,8	2,4,5	-
LOW OPP	1,3,5	2,4,8	-

NOTES:

1. STANDARD ROTATION IS CCW FACING END OPPOSITE SHAFT EXTENSION.
2. OPTIONAL THERMOSTAT IS PROVIDED WHEN SPECIFIED.
3. MULTIPLE CAPACITORS ARE CONNECTED IN PARALLEL UNLESS OTHERWISE SPECIFIED.
4. LEAD COLORS ARE OPTIONAL. LEADS MUST ALWAYS BE NUMBERED AS SHOWN.

REV. DESC: REVISE TO SHOW OPTIONAL COLORS			
REV. LTR: D	BY: JLP	REVISED: 04/08/99 1:16	TDR: 0178636
100000		FILE: AAA00007405	MDL: -
		MTL: -	

BALDOR ELECTRIC Co.

TYPE L, DV, REV, 6 LEADS

CD0001